

UCG 100 - 12

12V 100AH

AGM GEL

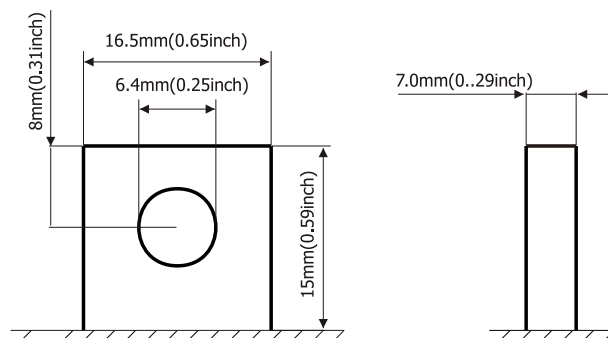
Ultracell®

'Quality in Every Language'

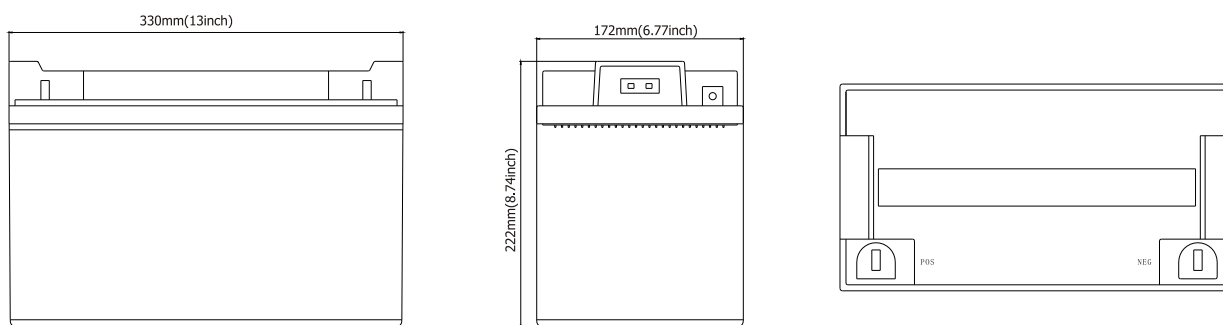
Image



Terminal Type



Dimensions



Specifications

| Battery Model | UCG 100 - 12 | | | |
|----------------------------------|---|-------------------|----------------------|------------------|
| Designed Floating Life | 15 Years | | | |
| Capacity (25°C) | 20HR (5.15A, 1.75V) | 10HR (10A, 1.75V) | 5HR (16.5A, 1.75V) | 1HR (62A, 1.75V) |
| | 103AH | 100AH | 82.5AH | 62AH |
| Dimensions | Length | Width | Height | Total Height |
| | 330mm | 172mm | 222mm | 222mm |
| Approx. Weight | 31.6Kg | | | |
| Internal Resistance | Fully Charged at 25°C 0.005 Ohm | | | |
| Self Discharge | 3% of capacity declined per month at 25°C | | | |
| Capacity Affected by Temperature | 40°C | 25°C | 0°C | -15°C |
| | 102% | 100% | 85% | 65% |
| Charge Voltage (25°C) | Cycle Use | | Float Use | |
| | 14.4-15V (-30mV/C), max. Current: 25A | | 13.6-13.8V (-20mV/C) | |

Construction

Component ——— Raw material
 Positive ——— Lead dioxide
 Negative ——— Lead
 Container ——— ABS (Flame Retardent optional)
 Cover ——— ABS (Flame Retardent optional)

Sealed and maintenance free option

Sealant ——— Epoxy Resin
 Safety Valve ——— EPDR
 Terminal ——— Copper
 Separator ——— Fibre Glass
 Electrolyte ——— Sulphuric acid and Gel

Non-spillable construction design



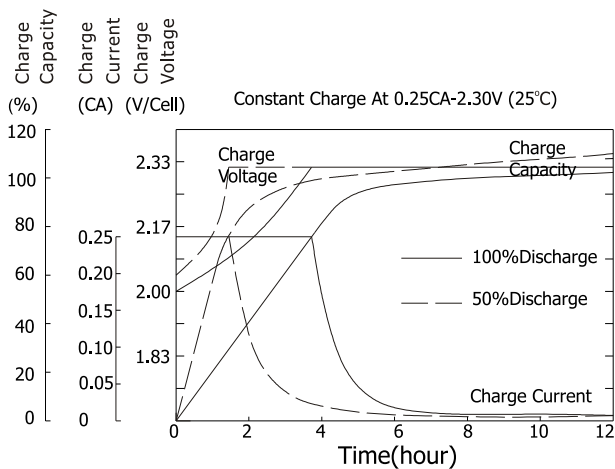
CE 1188



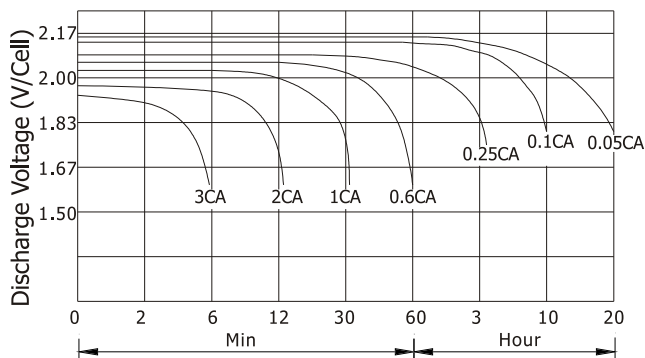
MH 29410

Tel | +44 (0) 151 523 2777
 Fax | +44 (0) 151 523 0855
 E-mail | info@ultracell.co.uk
 Web | www.ultracell.co.uk

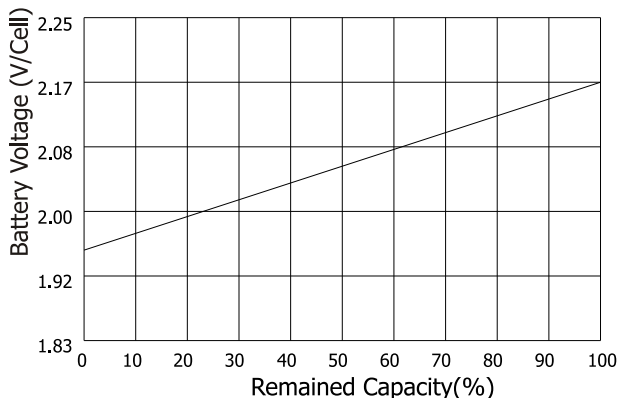
Charge Characteristic



Discharge Characteristic 25°C



Relationship of OCV and state of charge



Life Expectancy Cycle Use:

- 100% depth of discharge 350 cycles
- 80% depth of discharge 600 cycles
- 50% depth of discharge 900 cycles
- 30% depth of discharge 1500 cycles
- 20% depth of discharge 1700 cycles

Constant Current Discharge Ratings - amperes at 25°C

| F.V / Time | 5 MIN | 10 MIN | 15 MIN | 30 MIN | 1 HR | 3 HR | 5 HR | 10 HR | 20 HR |
|------------|-------|--------|--------|--------|------|------|------|-------|-------|
| 1.60 V | 350 | 240 | 175 | 105 | 66.0 | 27.3 | 13.2 | 10.6 | 5.27 |
| 1.67 V | 315 | 219 | 170 | 102 | 65.9 | 27.2 | 13.0 | 10.4 | 5.25 |
| 1.70 V | 299 | 211 | 164 | 100 | 65.7 | 27.2 | 12.9 | 10.4 | 5.25 |
| 1.75 V | 266 | 195 | 155 | 98.0 | 65.0 | 27.0 | 12.7 | 10.2 | 5.23 |
| 1.80 V | 240 | 181 | 148 | 95.0 | 64.2 | 26.9 | 12.4 | 10.0 | 5.04 |
| 1.85 V | 182 | 149 | 128 | 87.4 | 63.5 | 26.8 | 12.2 | 9.83 | 4.94 |

Constant Power Discharge Ratings - watts at 25°C

| F.V / Time | 5 MIN | 10 MIN | 15 MIN | 30 MIN | 1 HR | 3 HR | 5 HR | 10 HR | 20 HR |
|------------|-------|--------|--------|--------|------|------|------|-------|-------|
| 1.60 V | 577 | 398 | 310 | 198 | 130 | 52.4 | 26.6 | 21.4 | 10.5 |
| 1.67 V | 547 | 393 | 307 | 194 | 126 | 52.4 | 26.2 | 21.1 | 10.5 |
| 1.70 V | 511 | 383 | 302 | 189 | 122 | 52.4 | 26.0 | 20.9 | 10.5 |
| 1.75 V | 476 | 358 | 284 | 184 | 121 | 51.6 | 25.6 | 20.6 | 10.5 |
| 1.80 V | 427 | 333 | 267 | 179 | 119 | 50.9 | 25.1 | 20.2 | 10.1 |
| 1.85 V | 342 | 276 | 233 | 164 | 118 | 50.7 | 24.7 | 19.9 | 9.87 |



CE 1188



MH 29410

Tel | +44 (0) 151 523 2777
Fax | +44 (0) 151 523 0855
E-mail | info@ultracell.co.uk
Web | www.ultracell.co.uk